

**KUNZLE & TASIN**

Via CAJKOVSKIJ 14 \* 20092 CINISELLO BALSAMO (MI)  
TEL. 02/66040930 FAX 02/66013445

DRUM SANDER  
SCORPION

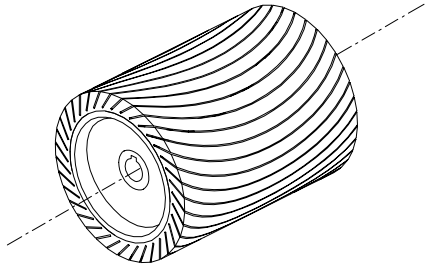
PAGE

1/6

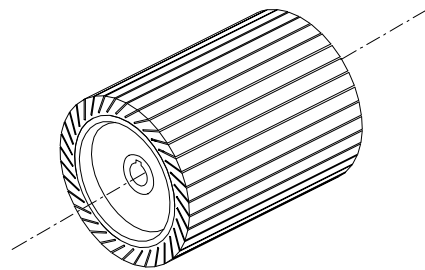
JANUARY 2005



29.999.4.0042 EXPANSION



29.999.4.0041 EXPANSION T.D.



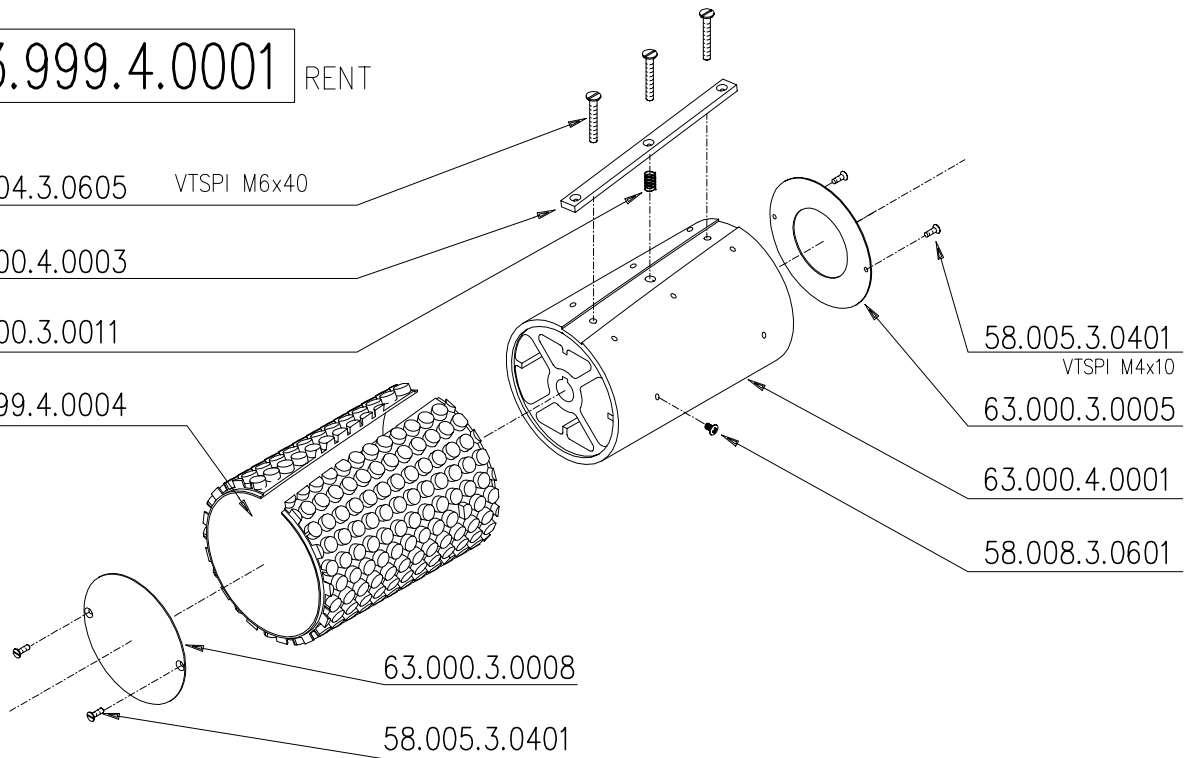
63.999.4.0001 RENT

58.004.3.0605 VTSPI M6x40

63.000.4.0003

63.000.3.0011

63.999.4.0004



58.005.3.0401  
VTSPI M4x10

63.000.3.0005

63.000.4.0001

58.008.3.0601

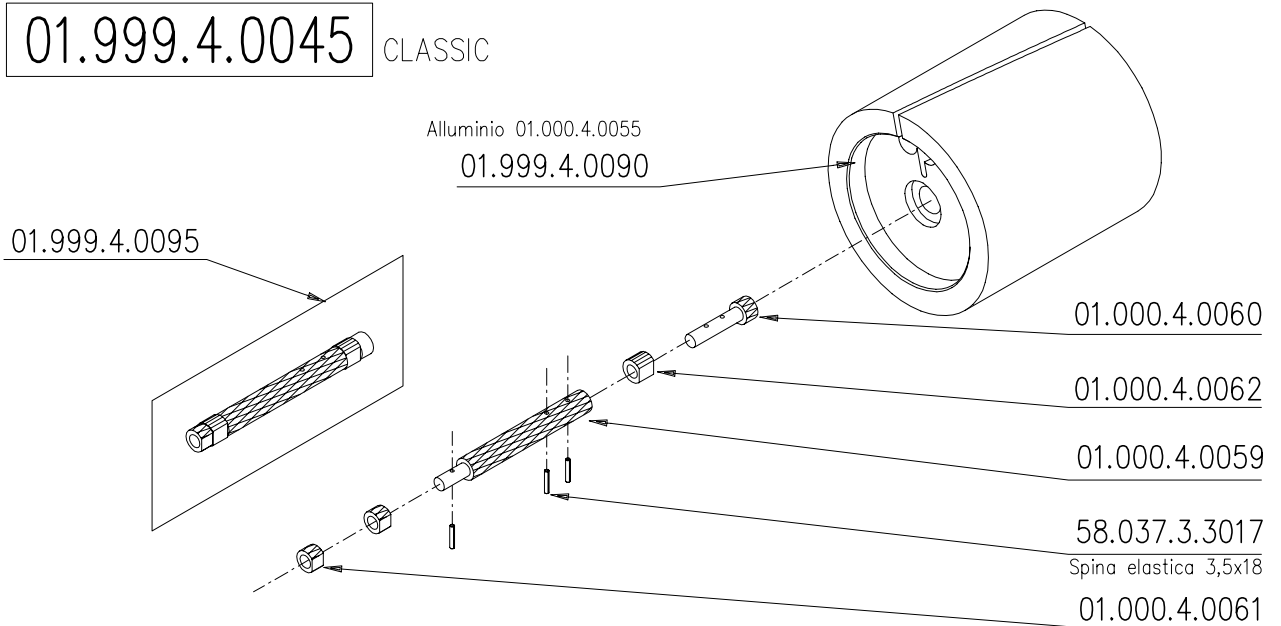
63.000.3.0008

58.005.3.0401

01.999.4.0045 CLASSIC

Alluminio 01.000.4.0055  
01.999.4.0090

01.999.4.0095



01.000.4.0060

01.000.4.0062

01.000.4.0059

58.037.3.3017  
Spina elastica 3,5x18

01.000.4.0061



KUNZLE & TASIN

Via CAJKOVSKIJ 14 \* 20092 CINISELLO BALSAMO (MI)  
TEL. 02/66040930 FAX 02/66013445

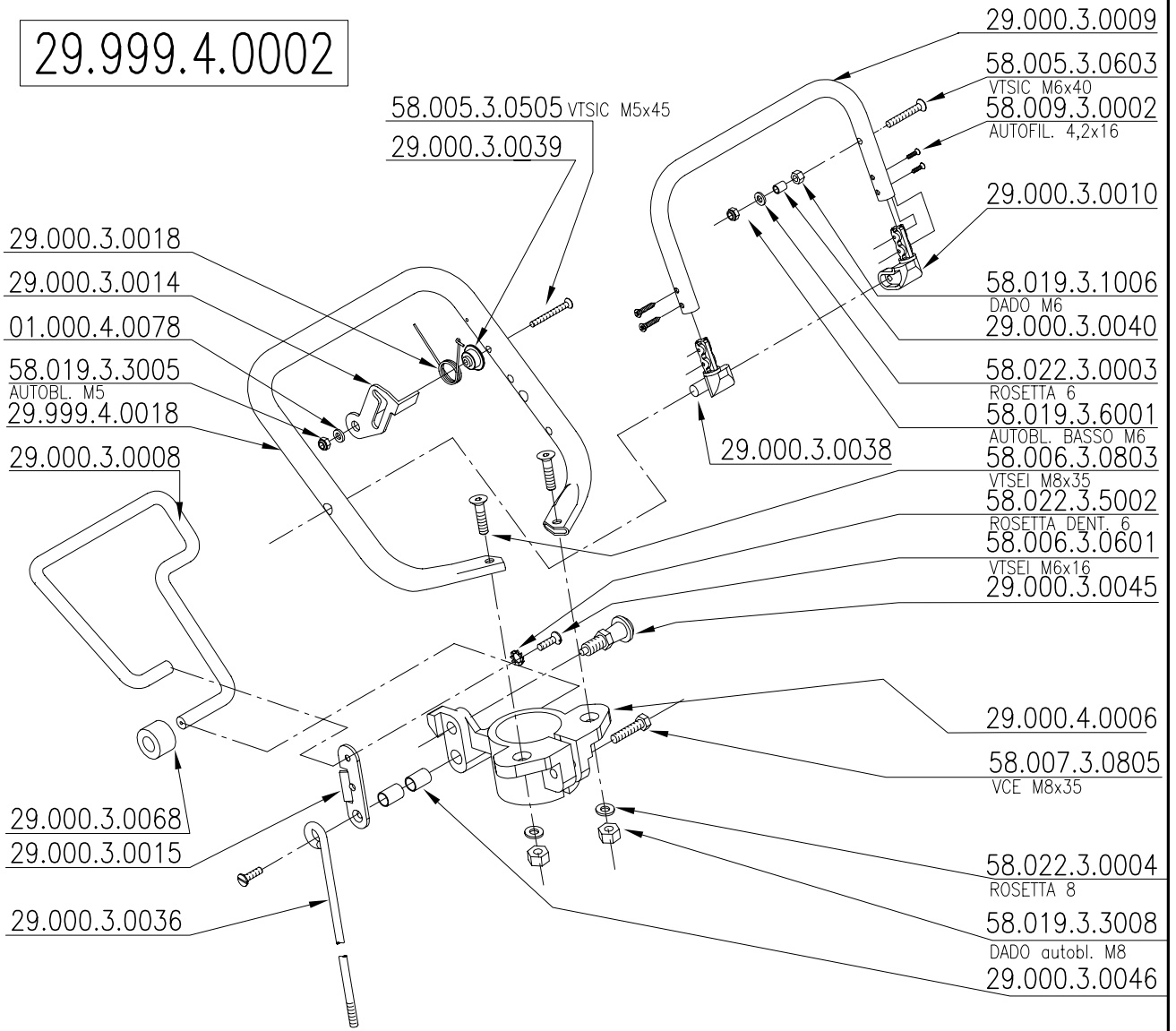
DRUM SANDER  
SCORPION

PAGE

3/6

JANUARY 2005

29.999.4.0002

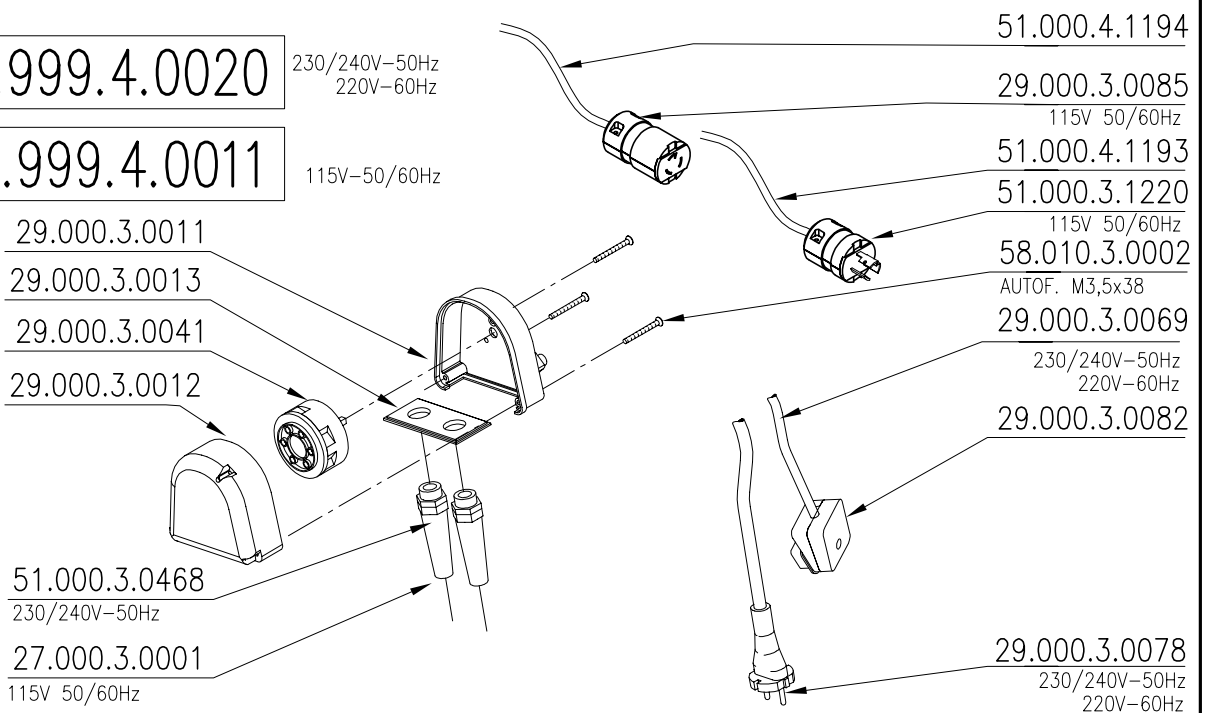


29.999.4.0020

230/240V-50Hz  
220V-60Hz

29.999.4.0011

115V-50/60Hz



KUNZLE & TASIN

Via CAJKOVSKIJ 14 \* 20092 CINISELLO BALSAMO (MI)  
TEL. 02/66040930 FAX 02/66013445

DRUM SANDER  
SCORPION

PAGE

4/6

JANUARY 2005

58.022.3.0003 ROSETTA M6  $\phi$  EST. 12.5mm

58.040.3.2107 SKF 626-2RS1

58.019.3.0006 DADO ESAGONALE M6

29.000.3.0120

58.006.3.0502 VTSI M5x16

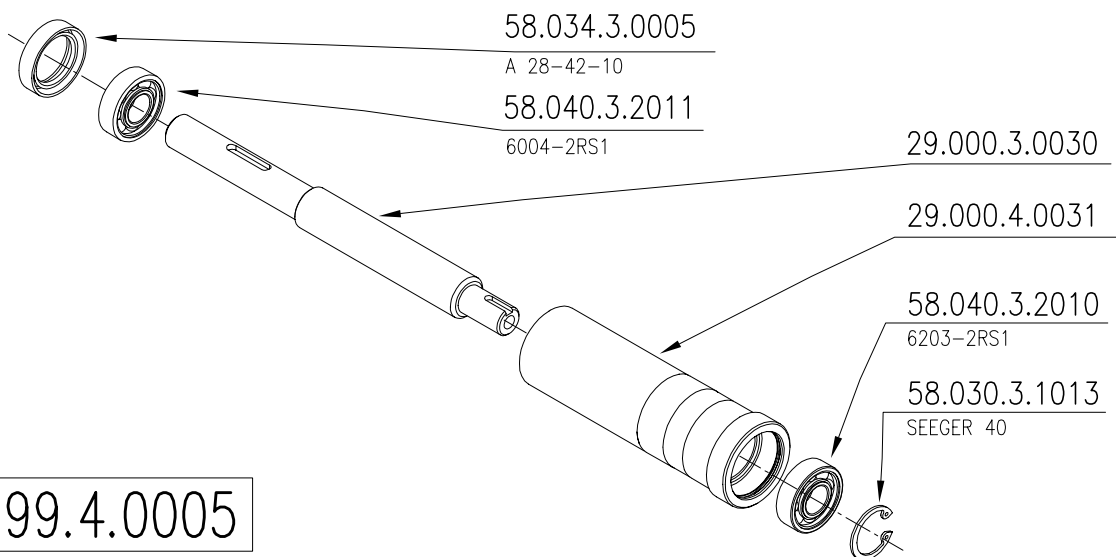
58.001.3.0601 VTCI M6x30

58.005.3.0501

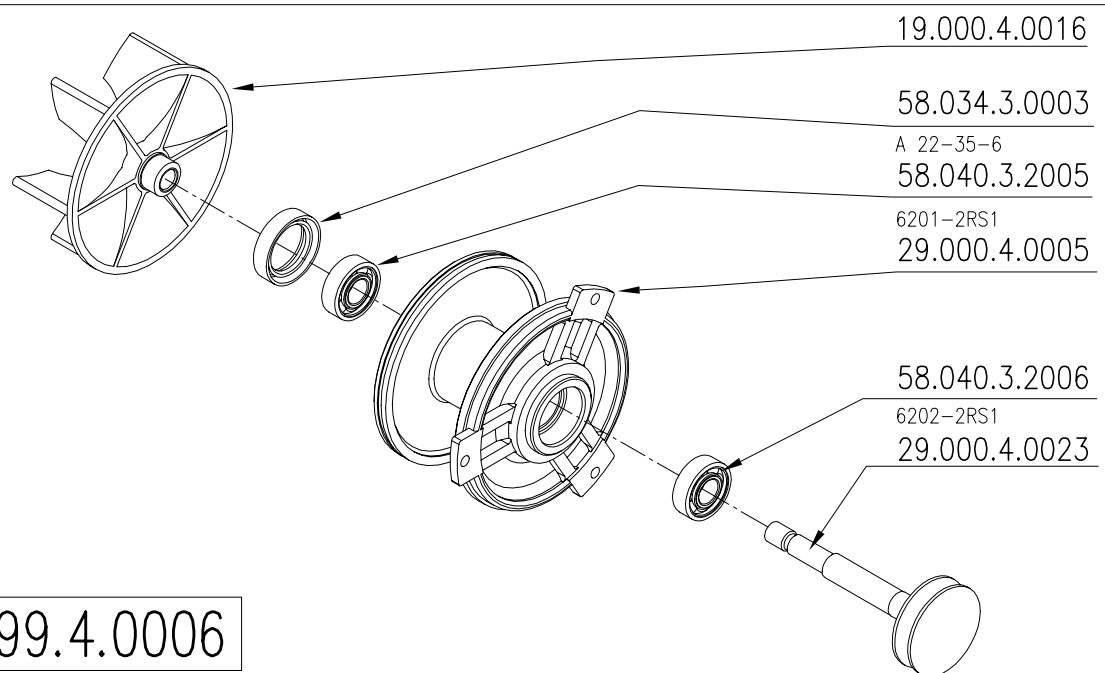
VTSIC M5x12

40.000.3.0611

EXP. 115V/60HZ



29.999.4.0005



29.999.4.0006



KUNZLE & TASIN

Via CAJKOVSKIJ 14 \* 20092 CINISELLO BALSAMO (MI)  
TEL. 02/66040930 FAX 02/66013445

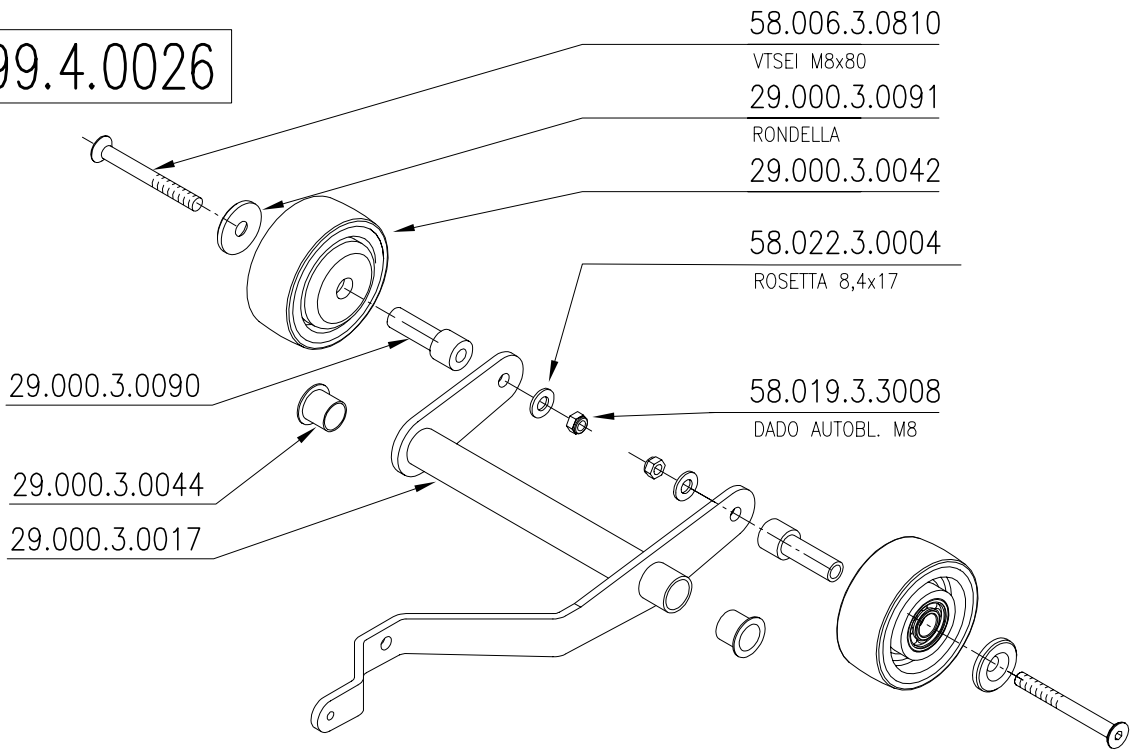
DRUM SANDER  
SCORPION

PAGE

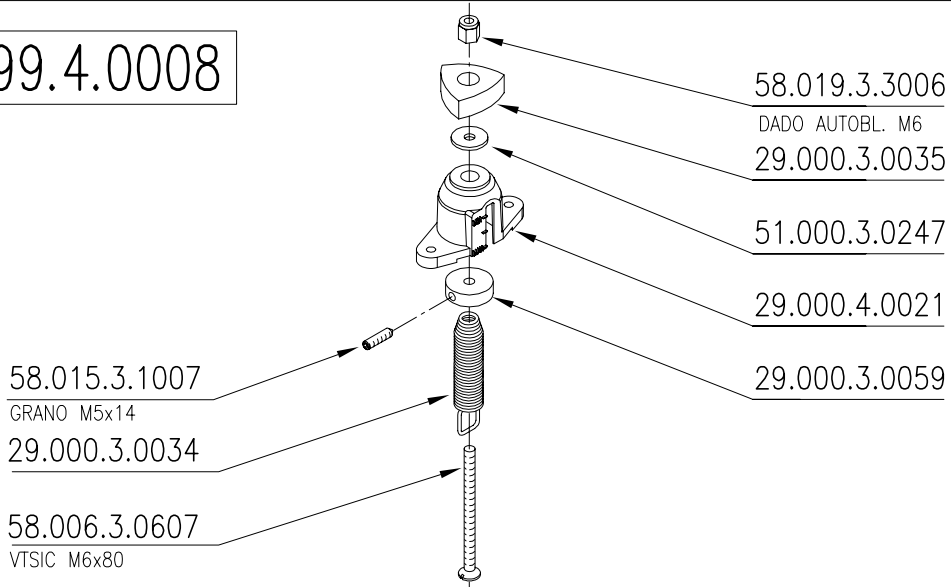
5/6

JANUARY 2005

29.999.4.0026

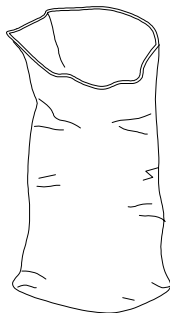


29.999.4.0008



29.000.3.0142

3 DUST BAGS PACKING

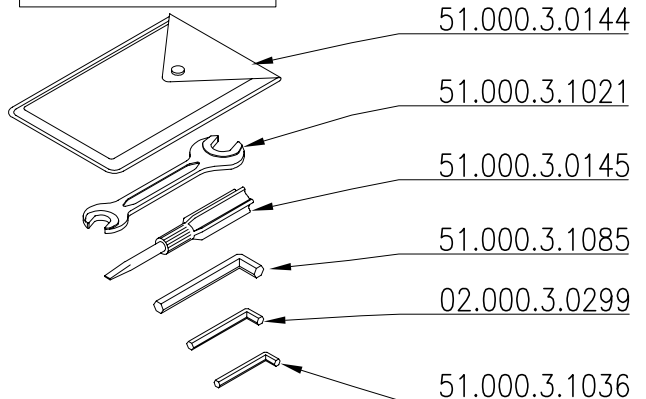


29.999.4.0033

CLASSIC

29.999.4.0009

RENT - EXPANSION



KUNZLE & TASIN

Via CAJKOVSKIJ 14 \* 20092 CINISELLO BALSAMO (MI)  
TEL. 02/66040930 FAX 02/66013445

DRUM SANDER  
SCORPION

PAGE  
6/6

JANUARY 2005